

SP SERIES

SELF-PRIMING PUMPS WITH SIDE CHANNEL

Close-coupled centrifugal pumps with liquid side channel and star impeller. Designed to remain primed even in the presence of water-dissolved gases or when the suction line is not filled with liquid.

- **THE NICKEL-PLATED BRASS IMPELLER IS HOUSED BETWEEN TWO BRASS WEAR PLATES IN THE PUMP BODY TO PREVENT JAMMING DUE TO OXIDATION**



APPLICATIONS

- Water circulation for domestic use.
- Home lawn and garden sprinkler systems.
- Washing and transfer.
- Applications where keeping the pump primed is problema.

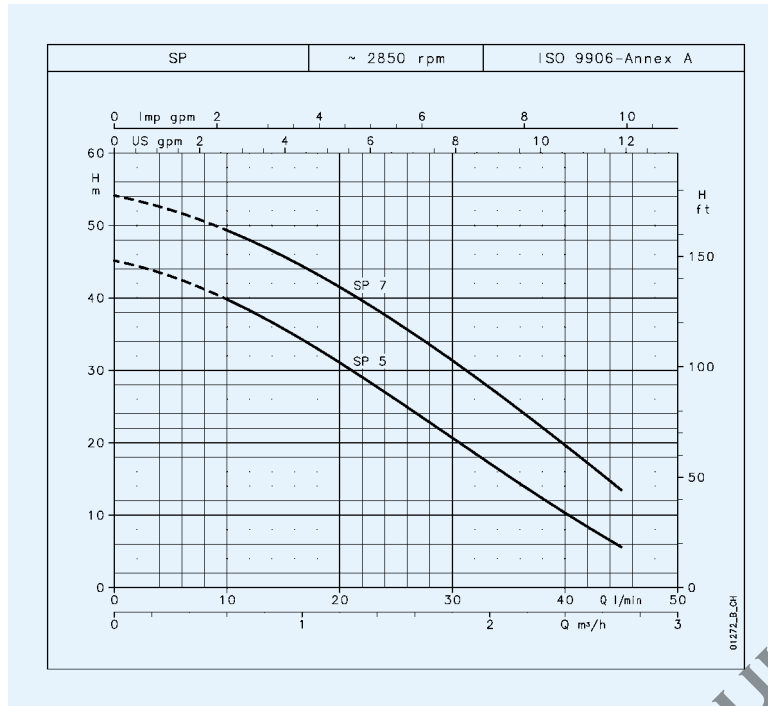
SPECIFICATIONS

- **Delivery:** up to **45 l/min (2,7 m³/h).**
- **Head:** up to **49,3 m.**
- **Maximum operating pressure: 8 bar.**
- **Continuous duty.**
- **Temperature of pumped liquid: -10°C to +40°C.**
- **Max ambient temperature: 40°C.**
- Enclosed **motor** with **external ventilation and aluminium alloy finned casing.**
- Versions:
 - Single-phase** 220-240 V 50 Hz, permanently connected capacitor and built-in automatic reset overload protection.
 - Three-phase** 220-240/380-415 V 50 Hz, thermal overload protection to be provided by user.
- Power up to 0.75 kW.
- Class **F Insulation.**
- **IP 55 protection.**

TABLE OF MATERIALS

PART	MATERIAL
Pump body and motor/pump support	CAST IRON
Impeller	NICKEL-PLATED BRASS
Front flange, rear diffuser plate and fill plug	BRASS
Shaft extension	STAINLESS STEEL (AISI 416 – DIN 1.405)
Mechanical seal	CARBON/CERAMIC/NBR
O-ring seals	NBR

OPERATING CHARACTERISTICS AT 2850 rpm 50 Hz



PUMP TYPE	RATED POWER		Q = DELIVERY								
			l/min	0	10	20	25	30	35	40	45
			m ³ /h	0	0.6	1.2	1.5	1.8	2.1	2.4	2.7
			H = TOTAL HEAD METERS COLUMN OF WATER								
SP5(T)	0.55	0.75	45.2	39.8	31.1	26.0	20.7	15.4	10.3	5.7	
SP7(T)	0.75	1	54.1	49.3	41.5	36.7	31.4	25.7	19.7	13.5	

These performances are valid for liquids with density $\rho = 1.0 \text{ kg/dm}^3$ and kinematic viscosity $\gamma = 1 \text{ mm}^2/\text{sec}$.

sp-2p50_a_th

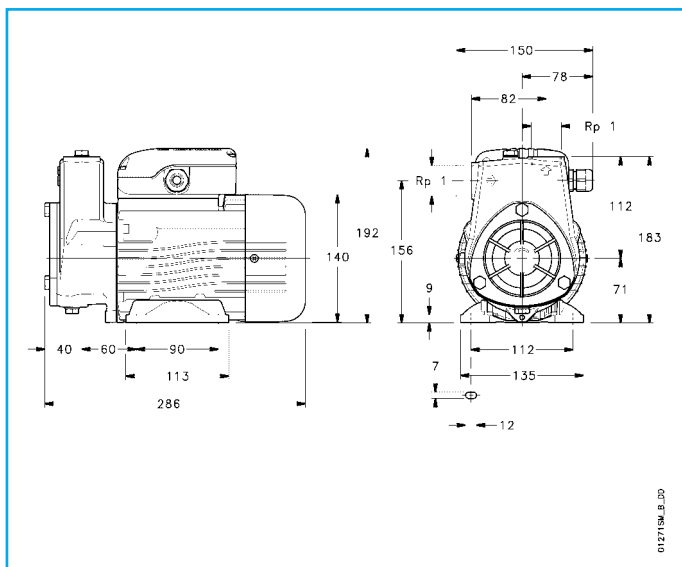
PUMP TYPE	INPUT POWER*	INPUT CURRENT*	CAPACITOR
	kw	220-240 V A	$\mu\text{F} / 450 \text{ V}$
SP5	0.87	4.21	16
SP7	1.00	4.60	20

* Maximum value in specified range

PUMP TYPE	INPUT POWER*	INPUT CURRENT*	INPUT CURRENT*
	kw	220-240 V A	380-415 V A
SP5T	0.78	2.67	1.54
SP7T	0.98	3.53	2.04

sp-2p50_a_td

DIMENSIONS AND WEIGHTS, SP SERIES



PUMP TYPE	WEIGHT
	kg
SP5(T)	11
SP7(T)	12

sp-2p50_a_td