

SCUBA* SERIES

CLOSE-COUPLED SUBMERSIBLE PUMPS

* Named SC for UK market.

APPLICATIONS

- Water supply from rain water tanks or reservoirs, 6" wells, basins and watercourses.
- Sprinkler systems.
- Pressure boosting with pump inserted directly in tank or well, to avoid suction problems and noise.

SPECIFICATIONS

- **Delivery:** up to **7,5 m³/h.**
- **Head:** up to **80 m.**
- **Maximum** pump overall **diameter: 128 mm.**
- **Maximum immersion depth: 20 m.**
- **Maximum** permissible quantity of **suspended sand: 25 g/m³.**
- **Passage of solids** up to **2.5 mm.**
- **Delivery port: Rp 1"1/4.**
- **Rated motor power: 0.55 to 1.1 kW.**
- **Single-phase motor:** 220-240 V, 50 Hz, built-in automatic reset overload protection, built-in capacitor.
- **Three-phase motor:** 380-415 V, 50 Hz; overload protection to be provided by user and installed in the control box (see control box section).
- Maximum supply voltage variations: $\pm 5\%$
- **Class F** insulation.
- Can also operate in **horizontal position.**
- Maximum number of **starts per hour**, at regular intervals:
25 for motors up to **0.9 kW.**
20 for **1.1 kW** motors.
- **Maximum temperature** of water in contact with the motor: **40°C** (continuous use).

CONSTRUCTION FEATURES

- Close-coupled, multiple-impeller submersible electric pump.
The liquid end is located under the motor, which is cooled by the pumped liquid.
- **Dry motor**
The electric motor is protected by a double seal with an oil chamber.



Sealing system

The silicon carbide mechanical seal, highly resistant to abrasion and wear, together with the second mechanical seal, lubricated thanks to the special configuration of the oil chambers, guarantee long-lasting reliability. The oil used complies with FDA (FOOD AND DRUG ADMINISTRATION) standards.

- Single-phase models with float (SCUBA G series) are also available.
- Kit including pump+Hydrovar Watercooled inverter available for the following models: HVW/SC207T - HVWSC407T.

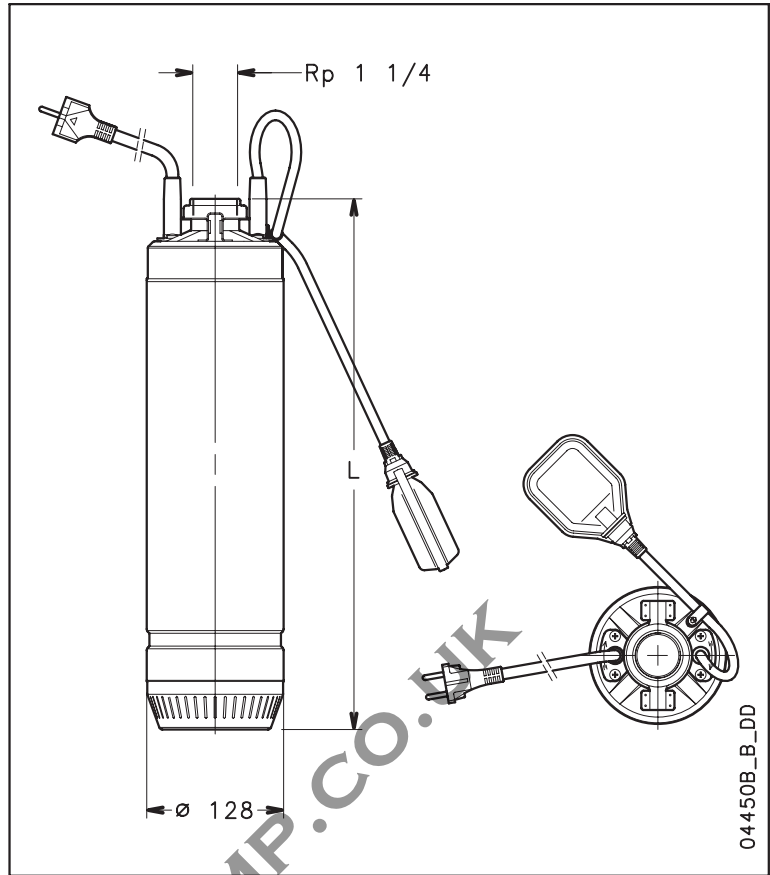
TABLE OF MATERIALS

PART	MATERIAL
Sleeve with head, upper bearing support, sleeve with wound stator, strainer, screws, diffuser	STAINLESS STEEL (AISI 304 - 1.4301)
Shaft extension	STAINLESS STEEL (AISI 316 - DIN 1.4401)
Impeller	NORYL®
Head, lower head, bush support	PPS RYTON®
Lower bearing support	DIE-CAST ALUMINIUM
Bush bearing	LARIPUR®
Elastomers	NITRILE RUBBER (NBR)
External mechanical seal	SILICON CARBIDE
Internal mechanical seal (fixed part)	STEATITE
Internal mechanical seal (rotary part)	CARBO-GRAPHITE

SCUBA SERIES DIMENSIONS AND WEIGHT

PUMP TYPE		N° OF STAGES	DIMENSIONS		WEIGHT
SINGLE-PHASE	THREE-PHASE		L	mm	
SC205C	SC205T	4	526	13,5	
SC207C	SC207T	5	566	15	
SC209C	SC209T	6	591	16	
SC211C	SC211T	7	636	18	
SC407C	SC407T	4	541	14,5	
SC409C	SC409T	5	566	15,5	
SC411C	SC411T	6	611	17,5	

scuba-sc2-sc4-2p50_c_td



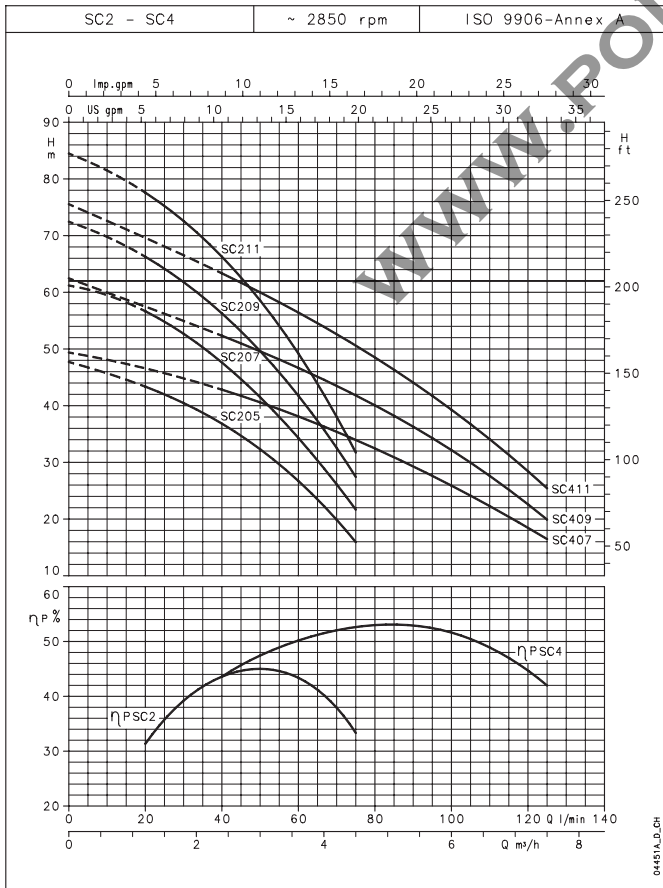
PUMP TYPE	SECTION	CABLE TYPE	CABLE LENGHT
SC205C	3G1	H07RN-F	20 m
SC207C	3G1	H07RN-F	
SC209C	3G1,5	H07RN-F	
SC211C	3G1,5	H07RN-F	
SC407C	3G1	H07RN-F	
SC409C	3G1,5	H07RN-F	
SC411C	3G1,5	H07RN-F	
SC205T	4G1	H07RN-F	
SC207T	4G1	H07RN-F	
SC209T	4G1	H07RN-F	
SC211T	4G1	H07RN-F	
SC407T	4G1	H07RN-F	
SC409T	4G1	H07RN-F	
SC411T	4G1	H07RN-F	

scuba-sc2-sc4-2p50_c_tc

Single-phase range available with pre-assembled float (SCUBA G)

Versions with 10-meter cable available on request

OPERATING CHARACTERISTICS AT 50 Hz



PUMP TYPE	RATED POWER	Q = DELIVERY																			
		H = TOTAL HEAD METRES COLUMN OF WATER																			
		Vmin	0	20	30	40	50	60	75	80	100	125									
		m³/h	0	1,2	1,8	2,4	3	3,6	4,5	4,8	6	7,5									
SC205C - SC205T	0,55 / 0,75		47,7	43,4	40,5	36,8	32,3	26,7	15,9												
SC207C - SC207T	0,75 / 1		61,2	56,7	52,7	47,6	41,5	34,3	21,7												
SC209C - SC209T	0,9 / 1,2		72,4	66,3	61,8	56,3	49,6	41,8	27,4												
SC211C - SC211T	1,1 / 1,5		84,5	77,6	72,6	66,3	58,6	49,2	31,7												
SC407C - SC407T	0,75 / 1		49,4			42,8	40,6	38,1	34,0	32,5	25,9	16,5									
SC409C - SC409T	0,9 / 1,2		62,5			52,3	49,6	46,7	41,8	40,1	32,2	19,9									
SC411C - SC411T	1,1 / 1,5		75,5			63,4	60,0	56,4	50,6	48,5	39,3	25,4									

scuba-sc2-sc4-2p50_c_th

PUMP TYPE	INPUT POWER*	INPUT CURRENT*	CAPACITOR
SINGLE-PHASE		220-240 V	
	kW	A	µF / 450 V
SC205C	0,93	4,37	16
SC207C	1,15	5,19	25
SC209C	1,32	5,88	25
SC211C	1,63	7,25	30
SC407C	1,18	5,28	25
SC409C	1,38	6,17	25
SC411C	1,76	7,85	30

*Maximum values within operating range

PUMP TYPE	INPUT POWER*	INPUT CURRENT*	INPUT CURRENT*
THREE-PHASE		220-240 V	380-415 V
	kW	A	A
SC205T	0,86	2,81	1,62
SC207T	1,09	4,12	2,38
SC209T	1,27	4,40	2,54
SC211T	1,45	4,68	2,70
SC407T	1,12	4,16	2,40
SC409T	1,33	4,50	2,60
SC411T	1,59	4,94	2,85

scuba-sc2-sc4-2p50_c_te