

# JETCOM SP - EUROCOM SP FOR SWIMMING-POOL APPLICATIONS



Self-priming centrifugal pump with excellent suction capacity even when there are air bubbles. Suitable for use with water containing small sand impurities. Particularly suitable for water supply in domestic installations: movimentation of aggressive water in general containing (water for swimming pools). Pump body in technopolymer.

**Motor support, seal in STAINLESS STEEL AISI 316.**

Mechanical seal in carbon/ceramic.

**Shaft with rotor in STAINLESS STEEL AISI 316.**

Impellers, diffuser, venturi tube and sand guard in technopolymer. Adjustment rings in stainless steel.

Continuous duty asynchronous motor.

Built-in thermal and current overload protection and a capacitor permanently on in the single-phase version.

Protection for the three-phase version is the responsibility of the user.

**Motor protection level: IP 44**

**Terminal board protection level: IP 55**

**Insulation class: F**

**Standard voltage:** 220/240V - 50 Hz single-phase  
230/400V - 50 Hz three-phase

**Operating range:** from 10 to 80 l/min. with head up to 58 m.

**Pumped liquid:** clean, free from solids and abrasive substances, water coming from swimming pools (containing chlorine).

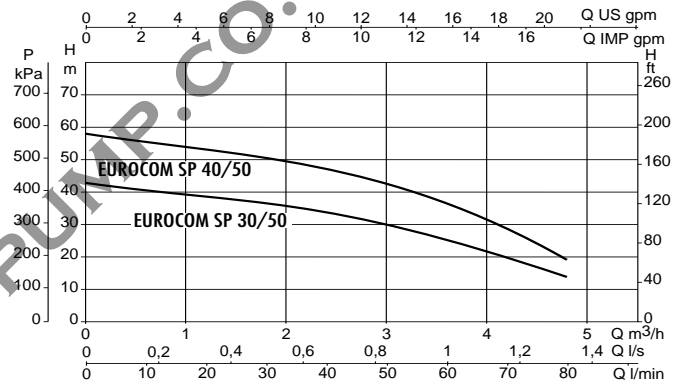
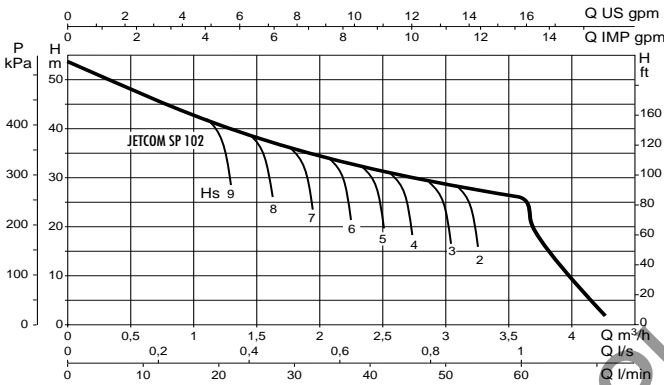
**Liquid temperature range:** from 0°C to +35°C for domestic use (EN 60335-2-41)  
from 0°C to +40°C for other uses.

**Maximum ambient temperature: +40°C**

**Maximum operating pressure: 6 bar (600 kPa)**

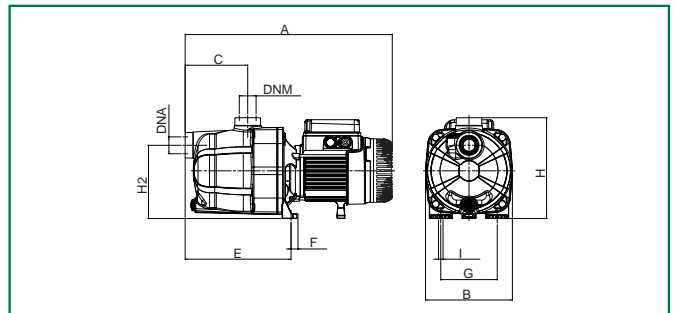
**Installation:** fixed or portable in horizontal position

## TECHNICAL DATA



MODEL	ELECTRICAL DATA						HYDRAULIC DATA											
	VOLTAGE 50 Hz	P1 MAX W	P2 NOMINAL kW	HP	In A	CAPACITOR µF Vc	Q m³/h l/min	0	0,6	1,2	1,8	2,4	3	3,3	3,6	4,2	4,8	
JETCOM SP 102 M	1x220-240 V ~	1,13	0,75	1	5,1	16 450	H (m)	53,8	47	41	36,3	32,4	28,8		25,8			
JETCOM SP 102 T	3x230-400 V ~	1,04	0,75	1	3,3-1,9	- -		42,2	40,2	38,2	36,2	33,8	30	27,5	24,8	19,5	14	
EUROCOM SP 30/50 M	1x220-240 V ~	880	0,55	0,75	3,9	12,5 450		57,7	55,3	52,8	50,1	47,1	42,7	39,5	35,8	28	19,2	
EUROCOM SP 30/50 T	3x230-400 V ~	870	0,55	0,75	2,8-1,6	- -												
EUROCOM SP 40/50 M	1x220-240 V ~	1200	0,75	1	5,3	20 450												
EUROCOM SP 40/50 T	3x230-400 V ~	1180	0,75	1	3,8-2,2	- -												

## DIMENSIONS AND WEIGHTS



MODEL	A	B	C	E	F	G	∅ / 4 holes	H	H1	DNA	DNM	PACKAGING DIMENSIONS			VOLUME m³	WEIGHT Kg	
												L/A	L/B	H		single-phase	three-phase
JETCOM SP 102	425	170	122	208	14	111	9	203	144	1" G	1" G	470	240	240	0,027	9,5	-
EUROCOM SP 30/50	406	170	122	208	14	111	9	198	144	1" G	1" G	470	240	240	0,027	8,8	8,8
EUROCOM SP 40/50	425	170	122	208	14	111	9	203	144	1" G	1" G	470	240	240	0,027	11	11,3