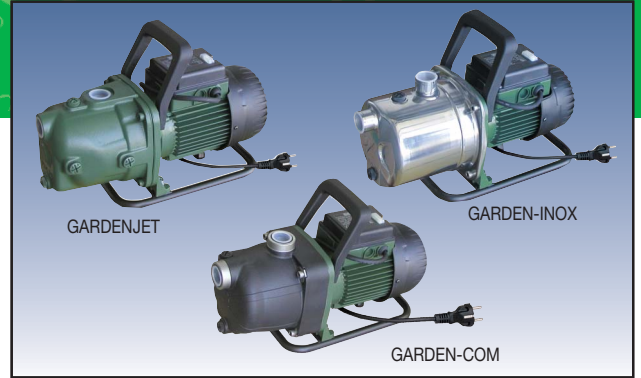


GARDENJET GARDEN-INOX GARDEN-COM ELECTROPUMPS FOR GARDENING



Portable self-priming centrifugal pump for gardening, horticultural, washing and DIY use. Equipped with handle to ease transportation, 2 meters of H07RN-F type power supply cable including plug and switch. Compact and easy to install, self-priming for the suction of tanks, wells and waterways in the presence of air bubbles.

Suitable for use with water having small amounts of sand.

Gardenjet: Cast-iron pump casing and die-cast aluminium motor support.

Garden-com: Technopolymer pump casing and die-cast aluminium motor support.

Garden-inox: Stainless steel pump casing.

Die-cast aluminium motor support.

Technopolymer rotor, diffuser and Venturi tube.

Stainless steel seal disc and adjustment ring.

Carbon/ceramic mechanical seal.

Asynchronous, closed, cooled by external ventilation.

Rotor mounted on oversized greased sealed-for-life ball bearings to ensure silent running and long life. Incorporated thermal-ampereometric protection and capacitor permanently on.

Constructed following the CEI 2-3 and CEI 61-69 (EN 60335-2-41) standards.

Motor protection level: IP 44

Terminals protection level: IP 55

Insulation class: F

Standard voltage: single-phase 220-240 V / 50 Hz

Operating range: from 0.4 to 5.4 m³/h with head up to 54 meters.

Pumped liquids: clean, free from solids or abrasive substances, non viscous, non aggressive, non crystallised and chemically neutral and close to the characteristics of water.

Liquid temperature range: from 0°C to +35°C for domestic use (EN 60335-2-41).
from 0°C to +40°C for other uses.

Maximum ambient temperature: +40°C

Maximum suction depth: 8 metres

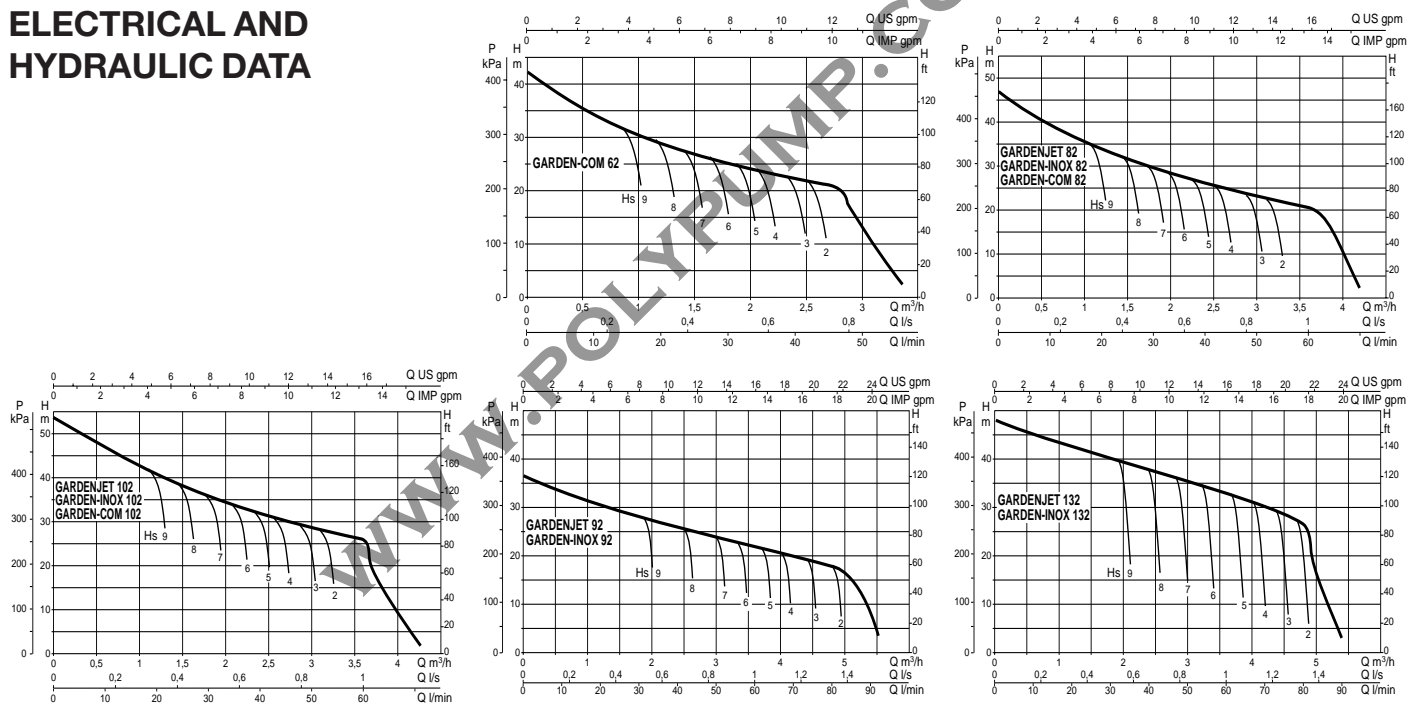
Maximum operating pressure: 8 bar (800 kPa)

6 bar (600 kPa) for Technopolymer models only.

Installation: fixed horizontally.

Special versions on request: other voltages and/or frequencies.

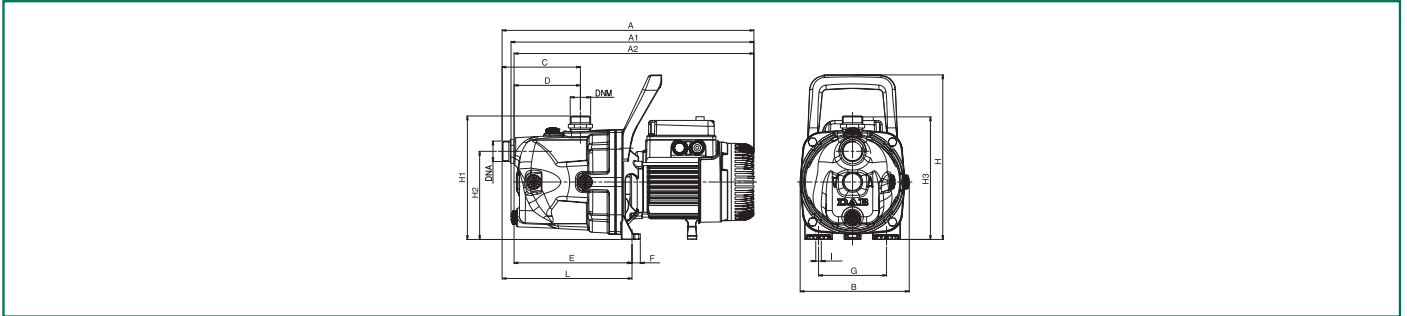
ELECTRICAL AND HYDRAULIC DATA



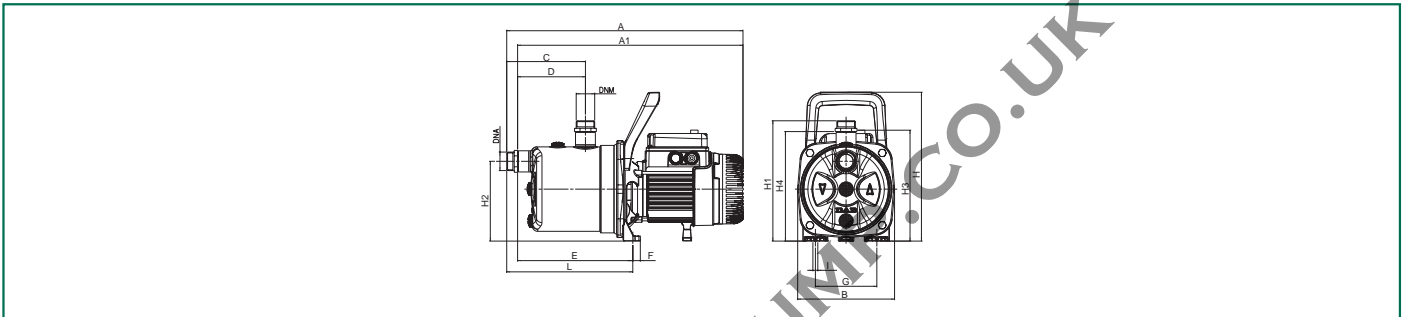
MODEL	ELECTRICAL DATA					HYDRAULIC DATA											
	VOLTAGE 50 Hz	P1 MAX kW	P2 NOMINAL kW	HP	In A	CAPACITOR μF	Vc	Q m ³ /h	0	0,6	1,2	1,8	2,4	3	3,6	4,2	4,8
								l/min	0	10	20	30	40	50	60	70	80
GARDENJET 82	1x220-240 V ~	0,85	0,6	0,8	3,8	12,5	450		47	40	34	30	26,2	23,5	20,3		
GARDENJET 102	1x220-240 V ~	1,13	0,75	1	5,1	16	450	H (m)	53,8	47	41	36,3	32,4	28,8	25,8		
GARDENJET 92	1x220-240 V ~	0,94	0,75	1	4,2	14	450		36,2	33,5	31	28,4	26	24	21,8	19,6	17,5
GARDENJET 132	1x220-240 V ~	1,49	1	1,36	6,6	25	450		48,3	45,6	42,8	40	37,6	35	32,5	30	27,2
GARDEN-INOX 82	1x220-240 V ~	0,85	0,6	0,8	3,8	12,5	450	H (m)	47	40	34	30	26,2	23,5	20,3		
GARDEN-INOX 102	1x220-240 V ~	1,13	0,75	1	5,1	16	450		53,8	47	41	36,3	32,4	28,8	25,8		
GARDEN-INOX 92	1x220-240 V ~	0,94	0,75	1	4,2	14	450		36,2	33,5	31	28,4	26	24	21,8	19,6	17,5
GARDEN-INOX 132	1x220-240 V ~	1,49	1	1,36	6,6	25	450		48,3	45,6	42,8	40	37,6	35	32,5	30	27,2
GARDEN-COM 62	1x220-240 V ~	0,72	0,44	0,6	3,12	12,5	450	H (m)	42,7	35	29,2	25,6	22,9	13			
GARDEN-COM 82	1x220-240 V ~	0,85	0,6	0,8	3,8	12,5	450		47	40	34	30	26,2	23,5	20,3		
GARDEN-COM 102	1x220-240 V ~	1,13	0,75	1	5,1	16	450		53,8	47	41	36,3	32,4	28,8	25,8		

DIMENSIONS AND WEIGHTS

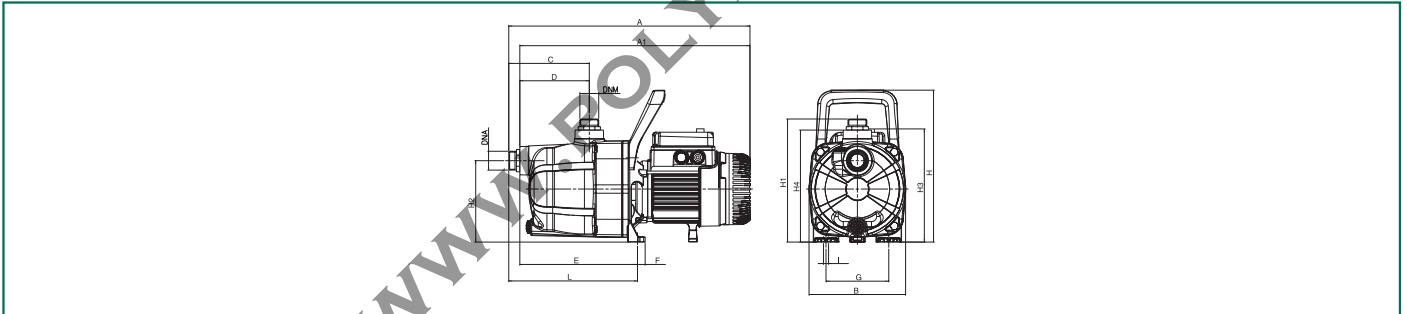
GARDENJET



GARDEN-INOX



GARDEN-COM



MODEL	A	A1	A2	B	C	D	E	F	G	H	H1	H2	H3	I Ø	L	DNA	DNM	PACKAGING DIMENSIONS			VOLUME m ³	WEIGHT Kg
																		L/A	L/B	H		
GARDENJET 82	410	395	390	178	127	108	192	14	111	268	201	144	199	9	212	1" G	1" G	470	240	240	0,027	11,2
GARDENJET 102	429	414	409	178	127	108	192	14	111	268	200	144	209	9	212	1" G	1" G	470	240	240	0,027	13,0
GARDENJET 92	410	395	390	178	127	108	192	14	111	268	201	144	199	9	212	1" G	1" G	470	240	240	0,027	12,2
GARDENJET 132	429	414	409	178	127	108	192	14	111	268	200	144	209	9	212	1" G	1" G	470	240	240	0,027	14,0
GARDEN-INOX 82	424	406	174	142	122	207	14	111	268	216	144	199	197	9	227	1" G	1" G	470	240	240	0,027	8,3
GARDEN-INOX 102	444	424	174	142	122	207	14	111	268	216	144	209	197	9	227	1" G	1" G	470	240	240	0,027	10,1
GARDEN-INOX 92	425	406	174	142	122	207	14	111	268	216	144	199	197	9	227	1" G	1" G	470	240	240	0,027	9,3
GARDEN-INOX 132	444	424	174	142	122	207	14	111	268	216	144	209	197	9	227	1" G	1" G	470	240	240	0,027	11,1
GARDEN-COM 62	425	406	170	142	122	208	14	111	268	217	144	199	198	9	227	1" G	1" G	470	240	240	0,027	8,0
GARDEN-COM 82	425	406	170	142	122	208	14	111	268	217	144	199	198	9	227	1" G	1" G	470	240	240	0,027	8,2
GARDEN-COM 102	444	406	170	142	122	208	14	111	268	217	144	209	203	9	227	1" G	1" G	470	240	240	0,027	10,0