

2 EUROINOX WITH 2 EUROINOX MULTISTAGE CENTRIFUGAL SELF-PRIMING PUMPS



Booster set with 2 EUROINOX centrifugal pumps complete with baseplate, suction and delivery manifold in stainless steel, 2 membrane vessels and control panel supplied complete with:

Single-phase version:

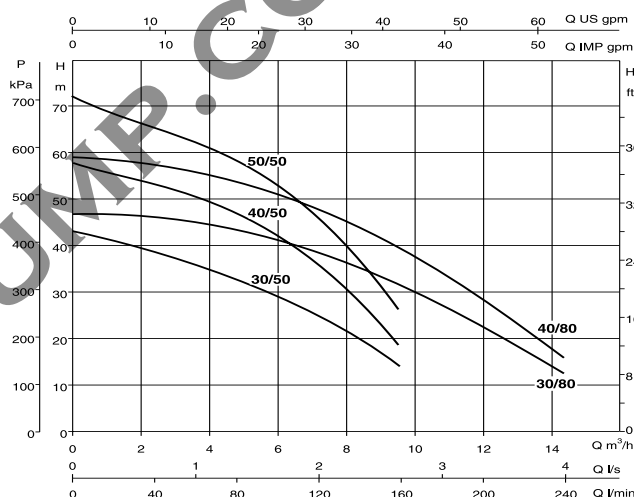
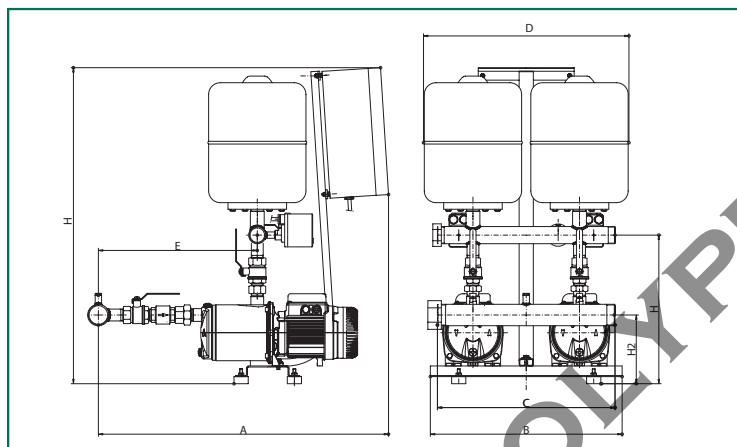
- Automatic inverter for exchanging the order of pump starting at each start-up
- Main switch
- Float or pressure switch can be inserted as protection against operation without water
- Low voltage auxiliary circuit complete with transformer and fuse



Three-phase version:

- Automatic inverter for exchanging the order of pump starting at each start-up
- Accident prevention "door interlock" main switch
- Low voltage auxiliary circuit complete with transformer and fuse
- Float or pressure switch can be inserted as protection against operation without water
- The units are supplied: **in the version with tanks** (air connector available on request) **in the version with air connector** (tank on request)

ELECTRICAL AND HYDRAULIC DATA



MODEL	VOLTAGE 50 Hz	P2 NOMINAL		In A	FLOW RATE L/h	MAX PRESSURE OBTAINABLE BAR	PRESSURE SWITCH SETTING IN BAR
		kW	HP				
2 EUROINOX 30/50 M	1x220-240 V~	2x0,55	2x0,75	2x3,9	8.000-4.400	3,8	2÷3,3
2 EUROINOX 40/50 M	1x220-240 V~	2x0,75	2x1	2x5,3	8.000-5.200	5,3	3÷4,5
2 EUROINOX 50/50 M	1x220-240 V~	2x1	2x1,36	2x6,3	7.600-5.200	6,5	4÷5,5
2 EUROINOX 30/80 M	1x220-240 V~	2x0,8	2x1,1	2x5,3	11.000-7.000	4,3	2,5÷3,8
2 EUROINOX 40/80 M	1x220-240 V~	2x1	2x1,36	2x6,3	10.000-6.000	5,5	3,8÷5,2
2 EUROINOX 30/50 T	3x400 V~	2x0,55	2x0,75	2x1,6	8.000-4.400	3,8	2÷3,3
2 EUROINOX 40/50 T	3x400 V~	2x0,75	2x1	2x2,2	8.000-5.200	5,3	3÷4,5
2 EUROINOX 50/50 T	3x400 V~	2x1	2x1,36	2x2,5	7.600-5.200	6,5	4÷5,5
2 EUROINOX 30/80 T	3x400 V~	2x0,8	2x1,1	2x2,2	11.000-7.000	4,3	2,5÷3,8
2 EUROINOX 40/80 T	3x400 V~	2x1	2x1,36	2x2,5	10.000-6.000	5,5	3,8÷5,2

DIMENSIONS AND WEIGHTS

MODEL	A	B	C	D	E	H	H1	H2	Ø MANIFOLD		WEIGHT Kg
									SUCTION	DELIVERY	
2 EUROINOX 30/50 M	840	540	500	578	450	890	420	194	2"	1 1/2"	57
2 EUROINOX 40/50 M	840	540	500	578	450	890	420	194	2"	1 1/2"	57
2 EUROINOX 50/50 M	840	540	500	578	450	890	420	194	2"	1 1/2"	57
2 EUROINOX 30/80 M	840	540	500	578	450	890	420	194	2"	1 1/2"	57
2 EUROINOX 40/80 M	840	540	500	578	450	890	420	194	2"	1 1/2"	57
2 EUROINOX 30/50 T	840	540	500	578	450	890	420	194	2"	1 1/2"	57
2 EUROINOX 40/50 T	840	540	500	578	450	890	420	194	2"	1 1/2"	57
2 EUROINOX 50/50 T	840	540	500	578	450	890	420	194	2"	1 1/2"	58
2 EUROINOX 30/80 T	840	540	500	578	450	890	420	194	2"	1 1/2"	57
2 EUROINOX 40/80 T	840	540	500	578	450	890	420	194	2"	1 1/2"	58