

DML

Ebara presenta DML: l'elettropompa sommergibile per acque cariche.

APPLICAZIONI

- Trattamento di acque luride
- Trattamento di liquame, acqua di scolo, effluenti urbani e industriali
- Evacuazione di acque di rifiuti civili ed industriali
- Regolazione di livello in vasche di raccolta e/o decantazione

MATERIALI

- Corpo pompa, girante, gomito (curva): ghisa
- Albero: acciaio inossidabile **AISI 403**
- Tenuta meccanica: - carburo di silicio (lato girante)
- ceramica/carbone (lato motore)

DATI TECNICI

- Pressione max di esercizio: 10 bar
- Portata fino a 330 m³/h
- Prevalenza fino a 40 m
- Potenza fino a 22 kW
- Temperatura max del liquido: 40°C
- Diametro di passaggio corpi solidi: 76 mm
- Motore (50Hz - 1450 min⁻¹)
- Isolamento: classe F
- Tensione: 400 V
- Flange - diametro di uscita: DN80
DN100
DN150

- Accessori (su richiesta): dispositivo di discesa

DML

Ebara presents the DML submersible pump for dirty water.

APPLICATIONS

- Sewage
- Waste water
- Removal of treated liquid waste
- Tank emptying and general dirty water duties

MATERIALS

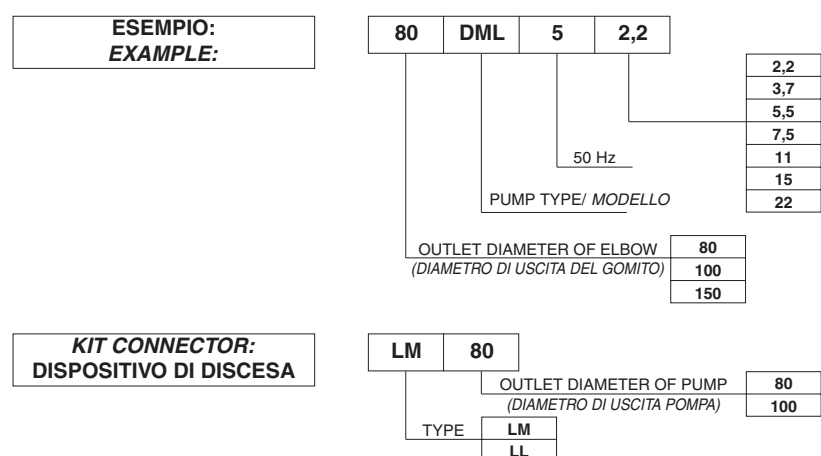
- Pump casing, impeller, elbow: cast iron
- Shaft: stainless steel **AISI 403**
- Mechanical seal: - SiC/SiC (impeller side)
- Elastomer/NBR (motor side)

TECHNICAL DATA

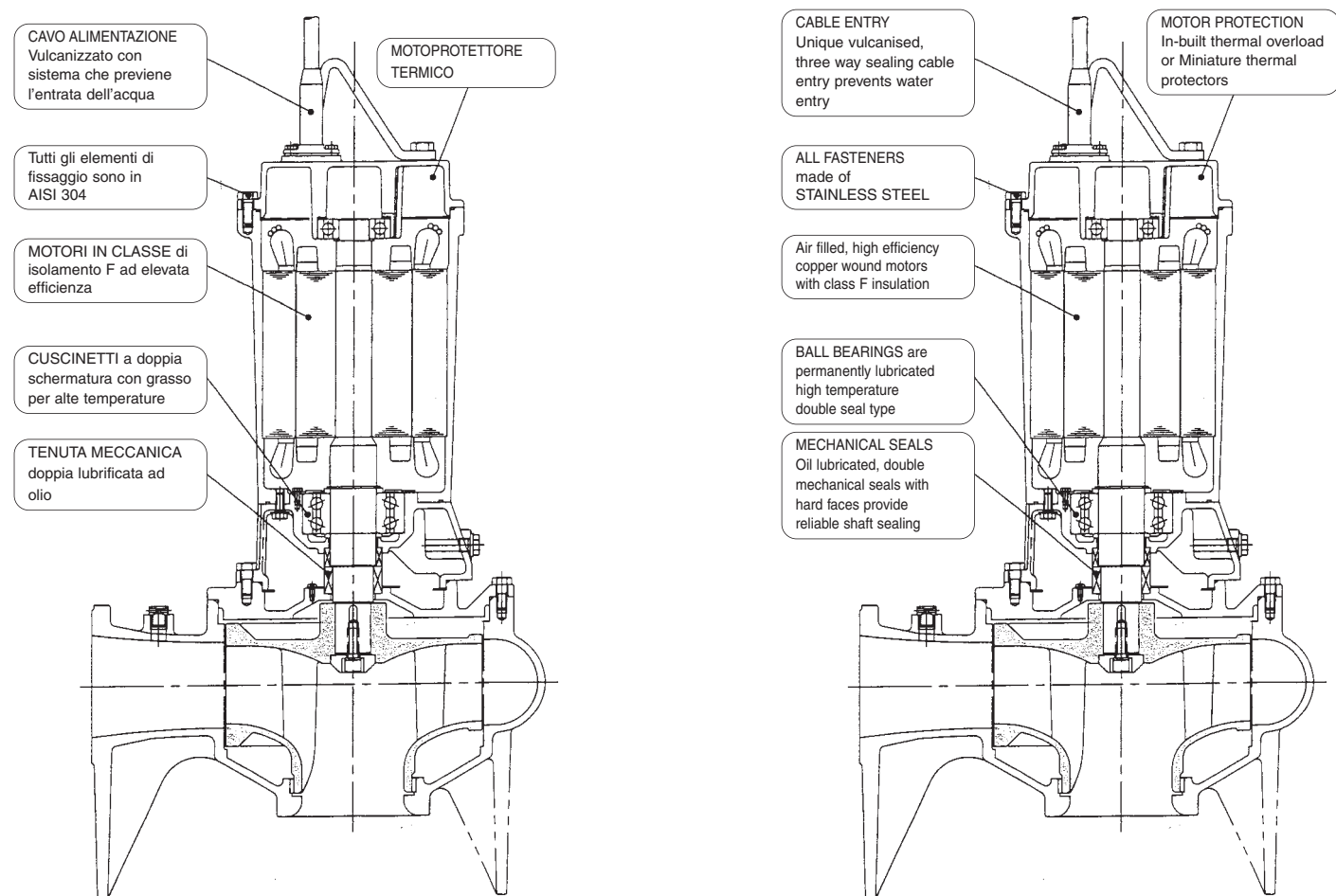
- Maximum working pressure: 10 bar
- Capacity up to 330 m³/h
- Total head up to 40 m
- Power up to 22 kW
- Maximum water temperature: 40°C
- Maximum passage of solids: 76 mm
- Motor (50Hz - 1450 min⁻¹)
- Class F insulation
- Voltage: 400 V
- Flanges: DN80
DN100
DN150

- Fittings (on request): quick discharge connection

SIGLA IDENTIFICATIVA / IDENTIFICATIONAL CODE



SCHEMA / SECTIONAL DRAWING



EBARA Pumps Europe S.p.A. si riserva il diritto di apportare senza preavviso le modifiche che riterrà più opportune. / EBARA Pumps Europe S.p.A. reserves the right to make modification without prior notice. Cod. 479705330 06/06

EBARA PUMPS EUROPE S.p.A.
Via Pacinotti, 32
36040 BRENDOLO (VI) ITALY
Phone: +39 0444.706.811 - Fax: +39 0444.706.950
Plants: Cles, Brendola
e-mail: marketing@ebaraeurope.com
www.ebaraeurope.com

EBARA PUMPS UK LIMITED
Unit 7 - Zodiac Business Park
High Road - Cowley
Uxbridge
Middlesex - UB8 2GU, United Kingdom
Phone: +44 1895.439.027
Fax: +44 1895.439.028

EBARA ESPAÑA BOMBAS S.A.
C/Cormoranes 6y8, Poligono La Estación,
28320 PINTO (MADRID), Spain
Phone: +34 916.923.630
Fax: +34 916.910.818

EBARA FRANCE
Maille Nord 2
6/10 Avenue Montaigne
93160 NOISY LE GRAND, France
Phone: +33 155.851.616
Fax: +33 155.851.639

EBARA PUMPEN
Philipp-Reis - Str. 15
63128 DIETZENBACH, Germany
Phone: +49 6074.827.90
Fax: +49 6074.827.942

EBARA Pompy Polska Sp. z o.o.
ul. Minska 63
03-828 Warszawa, Poland
Phone: +48 22.330.81.18
Fax: +48 22.330.81.19

DML

ELETTROPOMPE SOMMERGIBILI PER ACQUE LURIDE

SUBMERSIBLE PUMP FOR DIRTY WATER



CURVE DI PRESTAZIONE (secondo ISO 9906 livello 2)

PERFORMANCE CURVES (according to ISO 9906 grade 2)

80 DML

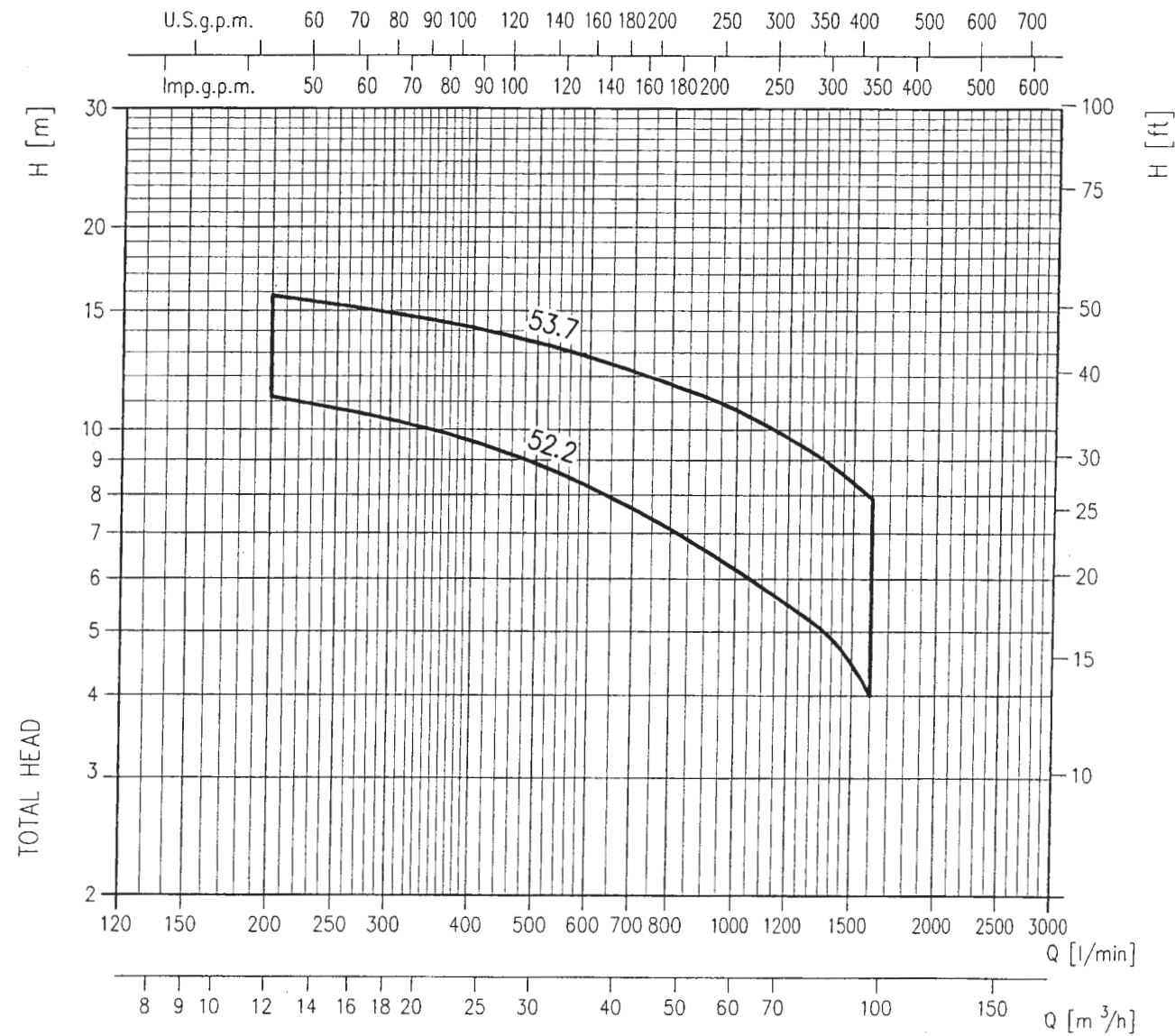


TABELLA DI PRESTAZIONE / PERFORMANCE TABLE

| Modello DML Pump type DML | kW | HP | Q=Portata / Capacity | | | | | | | | | |
|------------------------------|-----|----|---|------|------|------|------|------|------|------|------|------|
| | | | l/min | 0 | 200 | 400 | 600 | 800 | 1000 | 1200 | 1400 | 1600 |
| | | | m³/h | 0 | 12 | 24 | 36 | 48 | 60 | 72 | 84 | 96 |
| | | | H=Prevalenza totale [m] / Total head [m] | | | | | | | | | |
| 80 DML 52.2 | 2.2 | 3 | 13.1 | 11.2 | 9.6 | 8.2 | 7.1 | 6.2 | 5.5 | 4.9 | 4.0 | |
| 80 DML 53.7 | 3.7 | 5 | 17.9 | 15.8 | 14.2 | 12.8 | 11.7 | 10.7 | 9.7 | 8.8 | 7.9 | |

CURVE DI PRESTAZIONE (secondo ISO 9906 livello 2)

PERFORMANCE CURVES (according to ISO 9906 grade 2)

100 DML

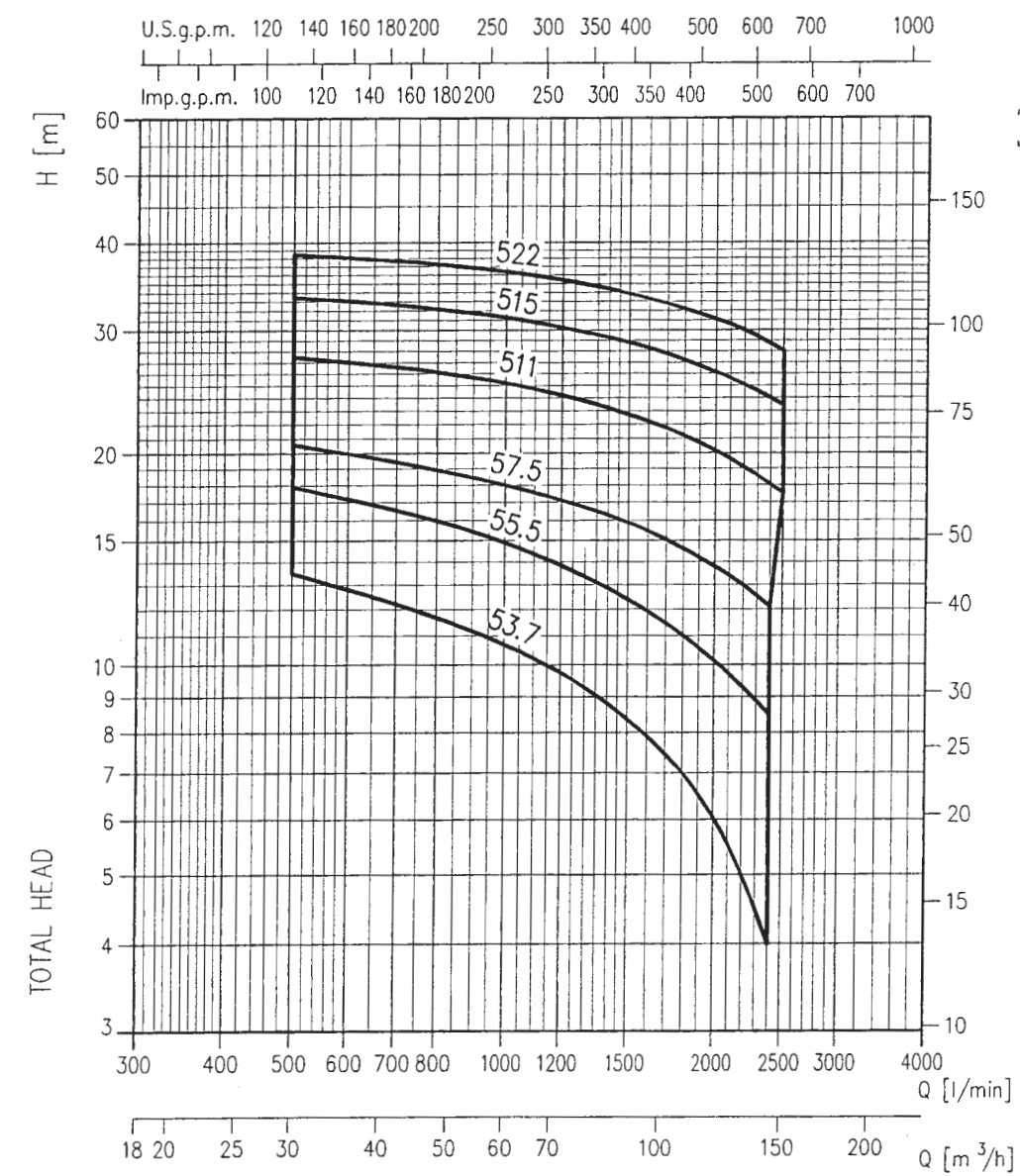


TABELLA DI PRESTAZIONE / PERFORMANCE TABLE

| Modello DML Pump type DML | kW | HP | Q=Portata / Capacity | | | | | | | | | | |
|------------------------------|-----|-----|---|------|------|------|------|------|------|------|------|------|--|
| | | | l/min | 0 | 500 | 1000 | 1300 | 1600 | 1900 | 2200 | 2400 | 2500 | |
| | | | m³/h | 0 | 30 | 60 | 78 | 96 | 114 | 132 | 144 | 150 | |
| | | | H=Prevalenza totale [m] / Total head [m] | | | | | | | | | | |
| 100 DML 53.7 | 3.7 | 5 | 17.9 | 13.5 | 10.7 | 9.3 | 7.9 | 6.5 | 5.0 | 4.0 | - | | |
| 100 DML 55.5 | 5.5 | 7.5 | 22.0 | 17.9 | 14.9 | 13.4 | 11.9 | 10.6 | 9.3 | 8.5 | - | | |
| 100 DML 57.5 | 7.5 | 10 | 25.3 | 20.6 | 18.0 | 16.7 | 15.5 | 14.2 | 13.0 | 12.1 | - | | |
| 100 DML 51.1 | 11 | 15 | 30.3 | 27.5 | 25.2 | 23.7 | 22.2 | 20.7 | 19.1 | 18.0 | 17.5 | | |
| 100 DML 51.5 | 15 | 20 | 35.0 | 33.5 | 31.3 | 29.8 | 28.3 | 26.7 | 25.1 | 24.0 | 23.4 | | |
| 100 DML 52.2 | 22 | 30 | 40.0 | 38.5 | 36.4 | 34.9 | 33.3 | 31.7 | 30.0 | 28.7 | 28.0 | | |

CURVE DI PRESTAZIONE (secondo ISO 9906 livello 2)

PERFORMANCE CURVES (according to ISO 9906 grade 2)

150 DML

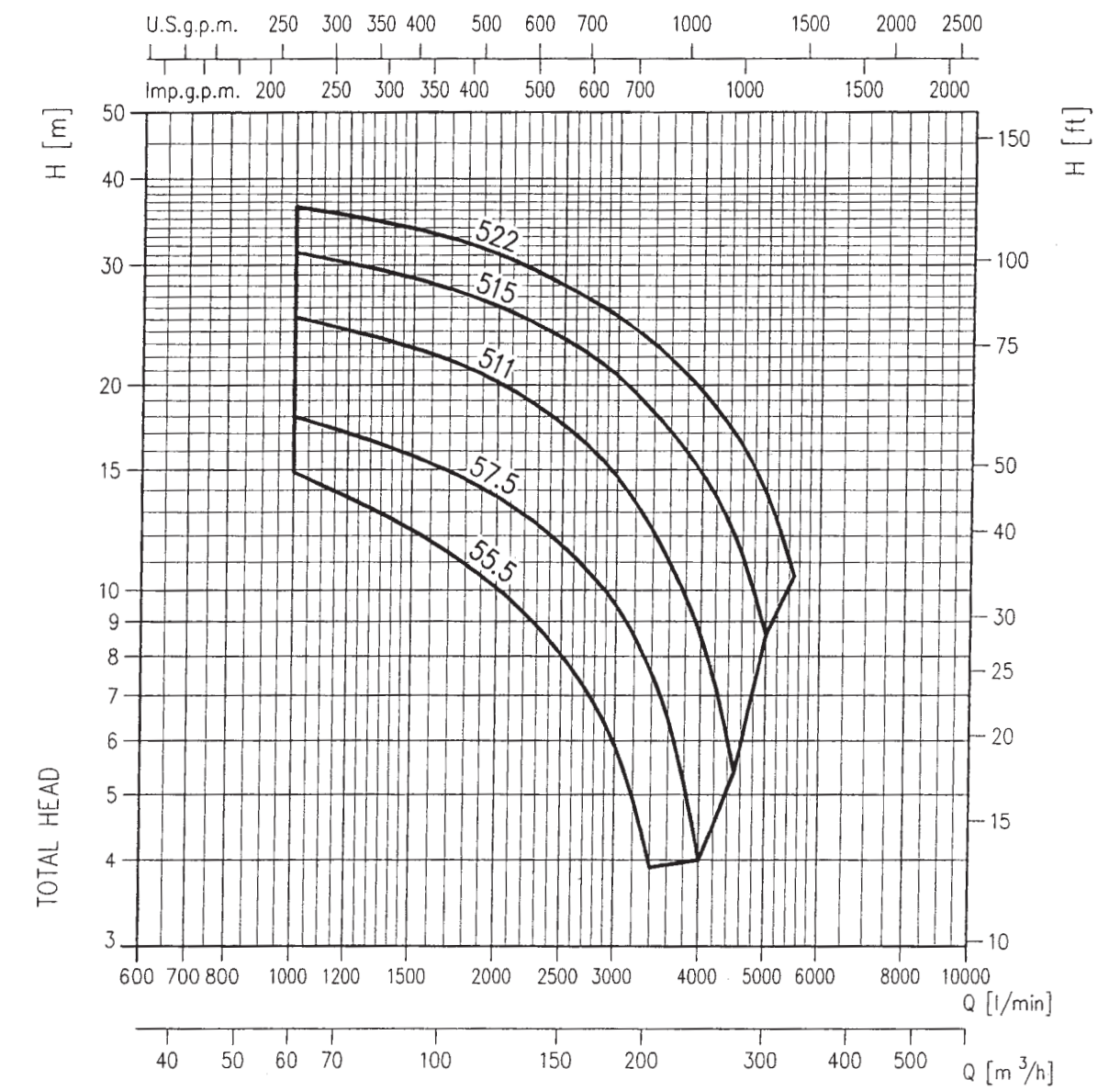


TABELLA DI PRESTAZIONE / PERFORMANCE TABLE

| Modello DML Pump type DML | kW | HP | Q=Portata / Capacity | | | | | | | | | | | | |
|------------------------------|-----|-----|---|------|------|------|------|------|------|------|------|------|------|--|--|
| | | | l/min | 0 | 1000 | 2000 | 2500 | 3000 | 3400 | 4000 | 4500 | 5000 | 5500 | | |
| | | | m³/h | 0 | 60 | 120 | 150 | 180 | 204 | 240 | 270 | 300 | 330 | | |
| | | | H=Prevalenza totale [m] / Total head [m] | | | | | | | | | | | | |
| 150 DML 55.5 | 5.5 | 7.5 | 22.0 | 14.9 | 10.1 | 8.0 | 5.9 | 3.9 | - | - | - | - | | | |
| 150 DML 57.5 | 7.5 | 10 | 25.3 | 18.0 | 13.7 | 11.6 | 9.5 | 7.5 | 4.0 | - | - | - | | | |
| 150 DML 51.1 | 11 | 15 | 30.3 | 25.2 | 20.2 | 17.5 | 14.7 | 12.2 | 8.6 | 5.4 | - | - | | | |
| 150 DML 51.5 | 15 | 20 | 35.0 | 31.3 | 26.1 | 23.4 | 20.6 | 18.2 | 14.8 | 11.9 | 8.6 | - | | | |
| 150 DML 52.2 | 22 | 30 | 40.0 | 36.4 | 31.1 | 28.0 | 25.2 | 22.9 | 19.5 | 16.8 | 13.8 | 10.5 | | | |